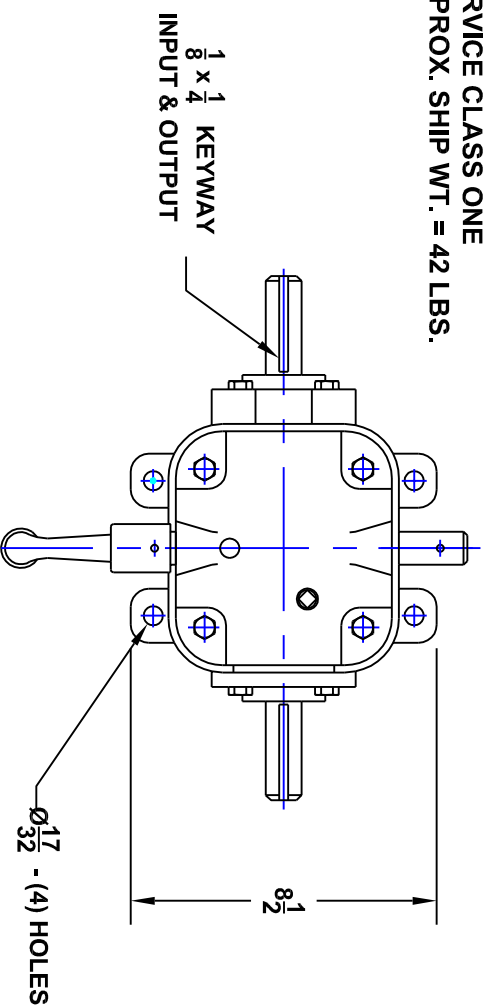


# U0200STD 4-SPEED GEARBOX [MANUAL SHIFT]

**2 HP MAXIMUM  
70 IN LBS MAXIMUM INPUT TORQUE  
AT 1800 RPM INPUT  
SERVICE CLASS ONE  
APPROX. SHIP WT. = 42 LBS.**



RATIOS			
1.000	1.824	3.039	4.012

**CONTACT SALES REPRESENTATIVE @ 800-689-3400  
\*\*CUSTOM RATIO & SHAFT DESIGN ARE AVAILABLE\*\***

- OVERHUNG LOAD CAN AFFECT HP RATING
- BI-DIRECTIONAL ROTATION
- INPUT AND OUTPUT SHAFTS ROTATE IN THE SAME DIRECTION
- AVAILABLE AS A REDUCER OR INCREASER
- UNITS MUST BE STOPPED BEFORE SHIFTING

**ONE YEAR LIMITED WARRANTY**

